

# XR-U550/U550RDS/U551RDS XR-U660/U660RDS/U661RDS

## SONY SERVICE MANUAL

### SUPPLEMENT-1

File this Supplement with the Service Manual.

*US Model*  
XR-U660

*US Model*  
*Canadian Model*  
XR-U550

*AEP Model*  
XR-U550RDS/U551RDS  
XR-U660RDS/U661RDS

*UK Model*  
XR-U551RDS/U661RDS

*E Model*  
XR-U550/U660

**Subject :**

1. A US Model has been added for XR-U660.

This model is the same as the XR-U550 (US Model ) but with an added TV control function.

Otherwise, the XR-U660 (US Model) is almost identical to the XR-U550 (US Model).

Therefore, only the schematic diagram and printed wiring boards that have been changed,  
and the parts that differ from those of the XR-U550 (US Model) are described in this manual.

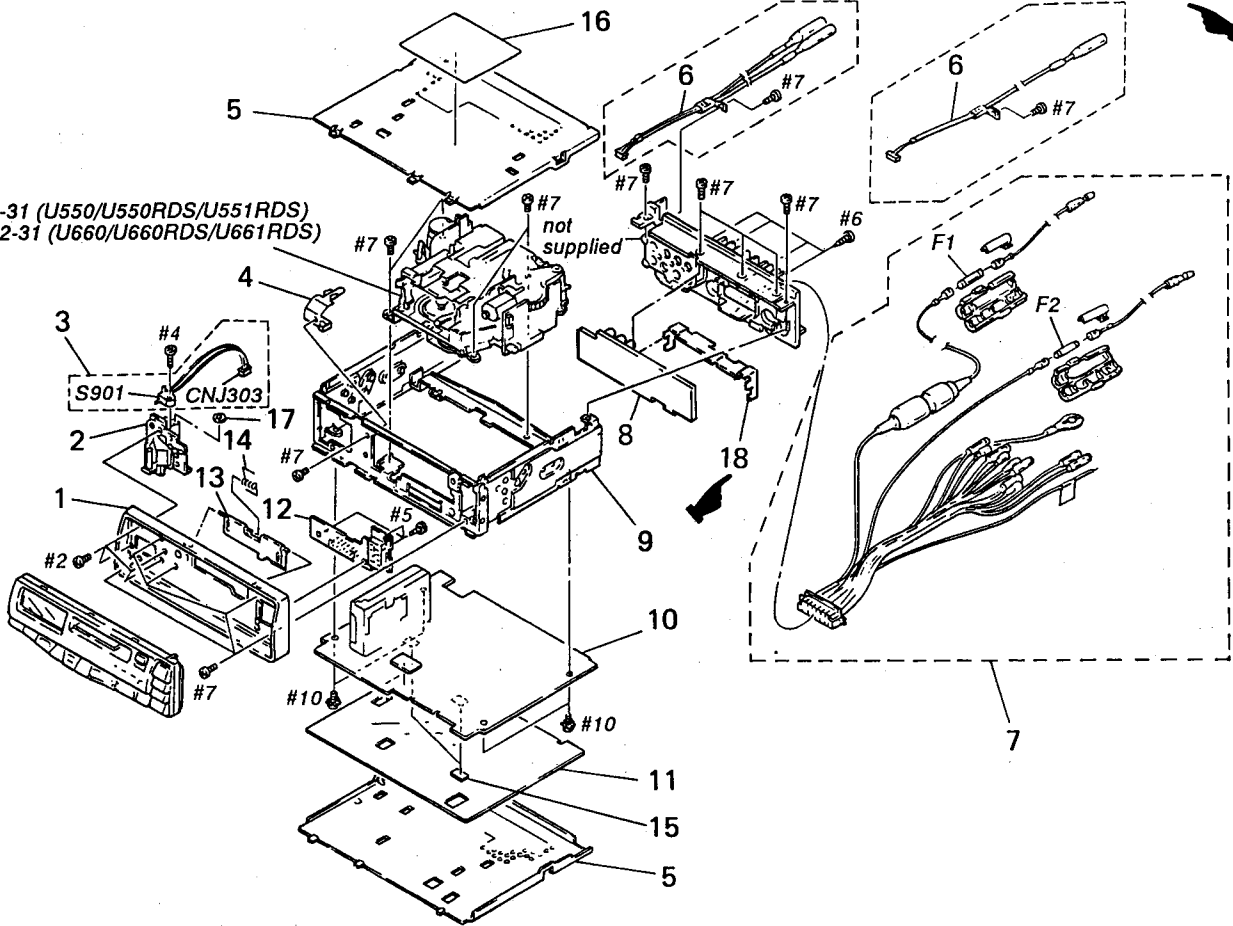
2. CORRECTION



3. GENERAL SECTION (Service Manual See page 57)

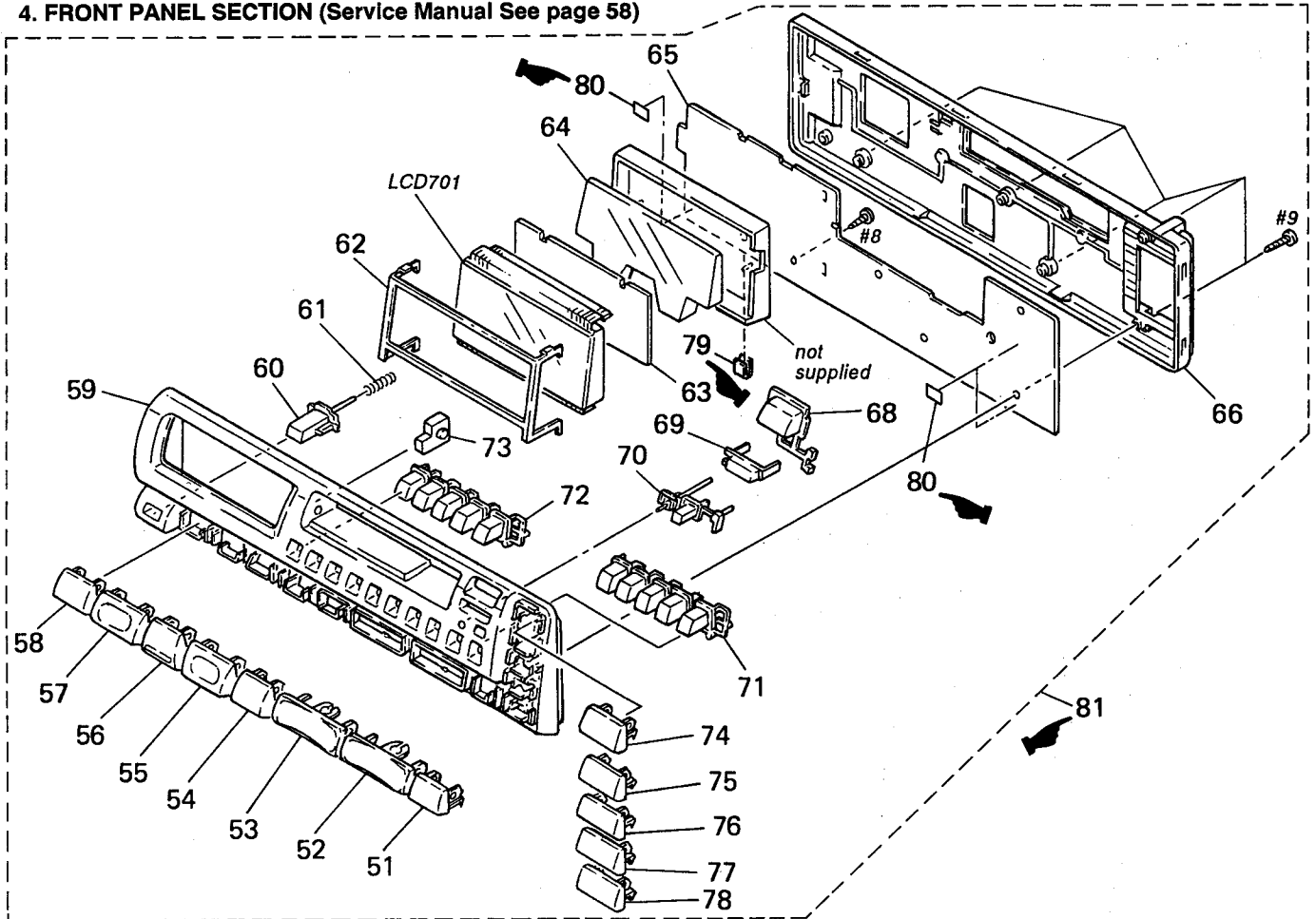
U660 : E/U660RDS/U661RDS U550 /U550RDS/U551RDS/660 : US

MG-55N-31 (U550/U550RDS/U551RDS)  
MG-55N2-31 (U660/U660RDS/U661RDS)



Ref.No.	Part No.	Description	Remark	Ref.No.	Part No.	Description	Remark
* 1	3-377-586-01	PANEL, SUB (EXCEPT U550/U660:US)		* 11	3-377-593-01	INSULATOR (EXCEPT U660:US)	
* 1	3-377-595-01	PANEL, SUB (U550/U660:US)		* 11	3-388-283-01	INSULATOR (U660:US)	
2	X-3365-507-2	LOCK ASSY		* 12	1-642-927-11	RESET BOARD	
3	X-3365-035-1	SWITCH ASSY		13	3-377-598-01	DOOR, CASSETTE (U550)	
4	3-381-198-01	PLATE, LOCK		13	3-377-598-11	DOOR, CASSETTE (U660RDS)	
* 5	3-377-591-01	COVER		13	3-377-598-21	DOOR, CASSETTE (U661RDS)	
6	1-574-339-11	CORD (WITH CONNECTOR) (U550/U550RDS/U551RDS/U660:US)		13	3-377-598-31	DOOR, CASSETTE (U551RDS)	
6	1-690-944-11	CORD (WITH CONNECTOR) (ANT) (U660:E/U660RDS/U661RDS)		13	3-377-598-41	DOOR, CASSETTE (U550RDS)	
7	1-690-741-11	CORD (WITH CONNECTOR) (U550/U660:US)		13	3-377-598-51	DOOR, CASSETTE (U660:E)	
7	1-690-742-11	CORD (WITH CONNECTOR) (EXCEPT U550/U660:US)		13	3-377-598-61	DOOR, CASSETTE (U660:US)	
* 8	A-3273-841-A	AMPLIFIER BOARD, COMPLETE (U660RDS/U661RDS)		14	3-377-892-01	SPRING (C DOOR), TORSION COIL	
* 8	A-3295-042-A	AMPLIFIER BOARD, COMPLETE (U550, U660)		15	9-911-841-XX	CUSHION, CASSETTE LID	
* 8	A-3295-075-A	AMPLIFIER BOARD, COMPLETE (U550RDS/U551RDS)		* 16	3-377-819-01	LABEL, MODEL NUMBER (U661RDS)	
9	X-3364-781-1	CHASSIS ASSY		* 16	3-377-820-02	LABEL, MODEL NUMBER (U660RDS:AEP)	
* 10	A-3273-832-A	MAIN BOARD, COMPLETE (U660RDS:AEP)		* 16	3-377-821-01	LABEL, MODEL NUMBER (U660RDS)	
* 10	A-3273-833-A	MAIN BOARD, COMPLETE (U660RDS:G)		* 16	3-377-822-01	LABEL, MODEL NUMBER (U550)	
* 10	A-3273-834-A	MAIN BOARD, COMPLETE (U661RDS)		* 16	3-378-739-01	LABEL, MODEL NUMBER (U660:E)	
* 10	A-3273-835-A	MAIN BOARD, COMPLETE (U660:E)		* 16	3-378-740-01	LABEL, MODEL NUMBER (U551RDS)	
* 10	A-3273-883-A	MAIN BOARD, COMPLETE (U550/U660:US)		* 16	3-378-741-01	LABEL, MODEL NUMBER (U550RDS)	
* 10	A-3295-076-A	MAIN BOARD, COMPLETE (U550RDS:AEP)		* 16	3-387-915-01	LABEL, MODEL NUMBER (U660:US)	
* 10	A-3295-080-A	MAIN BOARD, COMPLETE (U551RDS)		17	3-701-436-11	WASHER, STOPPER	
* 10	A-3295-082-A	MAIN BOARD, COMPLETE (U550RDS:G)		* 18	3-377-590-01	BRACKET (IC)	
				CNJ303	1-563-470-11	HOUSING, CONNECTOR 2P	
				ΔF1	1-532-678-11	FUSE 12A	
				ΔF2	1-532-414-11	FUSE 1A	
				S901	3-570-771-11	SWITCH	

4. FRONT PANEL SECTION (Service Manual See page 58)



Ref. No.	Part No.	Description	Remark	Ref. No.	Part No.	Description	Remark
	51	3-377-564-01 BUTTON (LIST)		65	A-3222-562-A KEY BOARD COMPLETE (U660:US)		
	52	3-377-571-01 BUTTON (DISC)		* 66	3-377-585-01 PANEL, FRONT BACK		
	53	3-377-572-01 BUTTON (SEEK)		68	3-377-560-02 BUTTON (EJECT)		
	54	3-377-567-01 BUTTON (LOUD)		69	3-377-579-01 CATCHER, RAY, FILTER (EXCEPT U550RDS, U551RDS)		
	55	3-377-570-01 BUTTON (+)		69	3-381-491-01 COVER (FILTER) (U550RDS, U551RDS)		
	56	3-377-568-01 BUTTON (SELECT)		70	3-377-582-01 BUTTON (RESET)		
	57	3-377-569-01 BUTTON (-)		71	3-377-575-01 BUTTON (PRESET 6-10)		
	58	3-377-573-01 BUTTON (MUTE)		72	3-377-574-01 BUTTON (PRESET 1-5)		
☛	59	X-3364-820-1 PANEL SUB ASSY, FRONT (U660RDS) (51-53, 74-78)		73	3-377-588-01 PLATE (C DOOR), LIGHT GUIDE		
☛	59	X-3364-821-3 PANEL SUB ASSY, FRONT (U661RDS) (51-53, 74-78)		74	3-377-561-11 BUTTON (AF/TA) (U550RDS/U551RDS/U660RDS/U661RDS)		
☛	59	X-3364-825-3 PANEL SUB ASSY, FRONT (U550) (51-53, 74-78)		74	3-377-561-01 BUTTON (AF/TA) (U660:US)		
☛	59	X-3364-870-1 PANEL SUB ASSY, FRONT (U550RDS) (51-53, 74-78)		74	3-377-561-21 BUTTON (FM) (U550/U660:E)		
☛	59	X-3364-871-1 PANEL SUB ASSY, FRONT (U551RDS) (51-53, 74-78)		75	3-377-563-01 BUTTON (FM/AM) (U550RDS/U660RDS/U660:US)		
☛	59	X-3364-871-1 PANEL SUB ASSY, FRONT (U551RDS) (51-53, 74-78)		75	3-377-563-11 BUTTON (FM/MW/LW) (U551RDS/U661RDS)		
☛	59	X-3364-872-3 PANEL SUB ASSY, FRONT (U660:E) (51-53, 74-78)		75	3-377-563-21 BUTTON (AM) (U550/U660:E)		
☛	59	X-3366-561-1 PANEL SUB ASSY, FRONT (U660:US) (51-53, 74-78)		76	3-377-566-01 BUTTON (TAPE)		
	60	3-377-577-01 BUTTON (RELEASE)		77	3-377-565-01 BUTTON (CD)		
	61	3-375-373-01 SPRING (RELEASE)		78	3-377-562-01 BUTTON (OFF)		
*	62	3-377-576-01 COVER (LCD)		79	9-911-837-XX DAMPER		
*	63	3-377-597-01 SHEET (REFLECTOR)		80	4-918-544-11 SPACER (T)		
*	64	3-377-581-01 PLATE (LCD), LIGHT GUIDE		81	A-3252-337-A PANEL ASSY, FRONT (U660:E) (51-80, LCD701, #8, 9)		
				81	A-3252-358-A PANEL ASSY, FRONT (U550) (51-80, LCD701, #8, 9)		
				81	A-3252-661-A PANEL ASSY, FRONT (U660:US) (51-80, LCD701, #8, 9)		
☛	* 65	A-3222-383-A PC BOARD ASSY, KEY (U660RDS/U661RDS)		LCD701	1-809-595-11 DISPLAY PANEL, LIQUID CRYSTAL		
☛	* 65	A-3222-394-A KEY BOARD COMPLETE (U550/U660:E)					
☛	* 65	A-3222-446-A KEY BOARD COMPLETE (U550RDS/U551RDS)					

5. ELECTRICAL PARTS LIST (Service Manual Page 62 – 74)

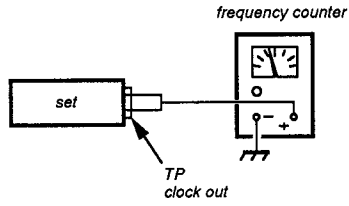
Ref. No.	Former Parts Description (Parts No.)	New Parts				Remark
		Parts No.	Description			
(Page 62)	* A-3273-841-A (EXCEPT U550RDS/ U551RDS)	* A-3273-841-A	AMPLIFIER BOARD, COMPLETE (U660RDS/U661RDS) *****			Correct
		* A-3295-042-A	AMPLIFIER BOARD, COMPLETE (U550/U660) *****			Added
C901 (Page 62)	_____	1-128-113-11	ELECT	3.3MF	20 % 50V	Added
C902 (Page 62)	_____	1-128-113-11	ELECT	3.3MF	20 % 50V	Added
C918 (Page 62)	1-162-282-31	1-163-117-00	CAP, CERAMIC	100PF	5 % 50V (U660RDS/U661RDS)	Correct
(Page 64)	* A-3273-835-A (U660)	* A-3273-835-A	MAIN BOARD, COMPLETE (U660 : E) *****			Correct
	* A-3273-883-A (U550)	* A-3273-883-A	MAIN BOARD, COMPLETE (U550/U660) *****			Correct
	* A-3295-076-A (U550RDS)	* A-3273-076-A	MAIN BOARD, COMPLETE (U550RDS : AEP) *****			Correct
		* A-3295-082-A	MAIN BOARD, COMPLETE (U550RDS : G) *****			Added
CNP1 (Page 66)	1-506-986-11	1-506-984-11	PIN, CONNECTOR (PC BOARD) 2P (U550/U550RDS/U551RDS/U660 : US)			Added
		1-506-986-11	PIN, CONNECTOR (PC BOARD) 4P (U660 : E/U660RDS/U661RDS)			Correct
FE1 (Page 66)	1-695-045-11	1-693-045-11	TUNER UNIT (FM/AM) (EXCEPT U551RDS/U661RDS)			Correct
		1-693-046-11	TUNER UNIT (FM/MW/LW) (U551RDS/U661RDS)			Added
IC3 (Page 66)	1-808-515-11	1-808-515-11	IC NMX3S900 (EXCEPT U550/U660 : US)			Correct
		1-808-516-11	IC NMX3S920 (U550/U660 : US)			Added
L6 (Page 67)	1-410-204-31	1-410-204-31	INDUCTOR CHIP 10 $\mu$ H (U550RDS/U551RDS/U660RDS/U661RDS)			Correct
X3 (Page 70)	1-579-242-11 (4.332 MHz)	1-579-242-11	VIBRATOR, CRYSTAL (4.332 MHz) (EXCEPT U550/U660)			Correct
S503 (Page 70)	1-572-474-11 SWITCH, TACTIL	1-571-938-11	SWITCH KEY BOARD			Changed

Ref. No.	Former Parts		New Parts				Remark
	Description (Parts No.)	Parts No.	Description				
(Page 71)	1-692-037-11 SWITCH, KEY BOARD	* A-3222-383-A	KEY BOARD, COMPLETE (U660RDS/U661RDS) *****				Added
		* A-3222-394-A	KEY BOARD, COMPLETE (U550/U660 : E) *****				Added
		* A-3222-446-A	KEY BOARD, COMPLETE (U550RDS/U551RDS) *****				Added
		* A-3222-562-A	KEY BOARD, COMPLETE (U660 : US) *****				Added
IC702 (Page 71)	8-759-066-23 IC $\mu$ PD75008GB-676-3B4	8-759-509-91	IC XRA10393F				Correct
JR705 (Page 71)	1-216-295-00	1-216-295-00	METAL CHIP 0 5% 1/10 W (U550/U660 : E)				Correct
JR702 (Page 71)	1-216-295-00	1-216-295-00	METAL CHIP 0 5% 1/10 W (EXCEPT U550/U660 : E)				Correct
JR703 (Page 71)	1-216-295-00	1-216-295-00	METAL CHIP 0 5% 1/10 W (EXCEPT U550/U660 : E)				Correct
JR704 (Page 71)	1-216-295-00	1-216-295-00	METAL CHIP 0 5% 1/10 W (U550/U660 : E)				Added
R714 (Page 71)	_____	1-216-295-00	METAL CHIP 0 5% 1/10 W (U660 : US)				Added
R713 (Page 72)	1-216-089-00	1-216-089-00	METAL CHIP 47K 5% 1/10 W (EXCEPT U660 : US)				Correct
6 (Page 72)	1-574-339-11	1-574-339-11	CORD (WITH CONNECTOR) (ANT) (U550/U550RDS/U551RDS/U660 : US)				Correct
	1-690-212-21	_____					Deleted
	1-690-944-11	1-690-944-11	CORD (WITH CONNECTOR) (ANT) (U660 : E/U660RDS/U661RDS)				Correct
ACC (Page 73)	X-3364-955-1	X-3364-955-1	FRAME ASSY, FITING (EXCEPT U660RDS : AEP)				Correct
	3-377-579-01	3-377-579-01	CATCHER, RAY, FILTER (EXCEPT U550RDS/U551RDS)				Correct
	3-378-552-01 FRAM (UPPER), FITTING (EXCEPT U550 : CND/U660RDS)	_____					Deleted
	3-378-553-01 FRAM (LOWER), FITTING (EXCEPT U550 : CND/U660RDS)	_____					Deleted

Ref. No.	Former Parts Description (Parts No.)	New Parts		Remark
		Parts No.	Description	
ACC (Page 73)	3-378-974-01 (U660)	3-378-974-01	INDIVIDUAL CARTON (U660 : E)	Correct
		3-387-936-01	INDIVIDUAL CARTON (U660 : US)	Added
	3-754-863-51 (U550 : E/U660)	3-754-863-51	MANUAL, INSTRUCTION (U550 : E/U660 : E)	Correct
		3-756-600-21	MANUAL, INSTRUCTION (U660 : US) (ENGLISH, FRENCH)	Added
	3-754-861-51 (U550 : E/U660)	3-754-861-51	MANUAL, INSTRUCTION (U550 : E/U660 : E)	Correct
		3-756-601-21	MANUAL, INSTRUCTION, INSTALL (U660 : US) (ENGLISH, FRENCH)	Added
	7-633-110-41 TAPE (50MM × 500M)	_____		Deleted

● CORRECTION  
(Service Manual Page 21)

**INCORRECT**  
Microcomputer Clock Adjustment  
setting :



**CORRECT**

